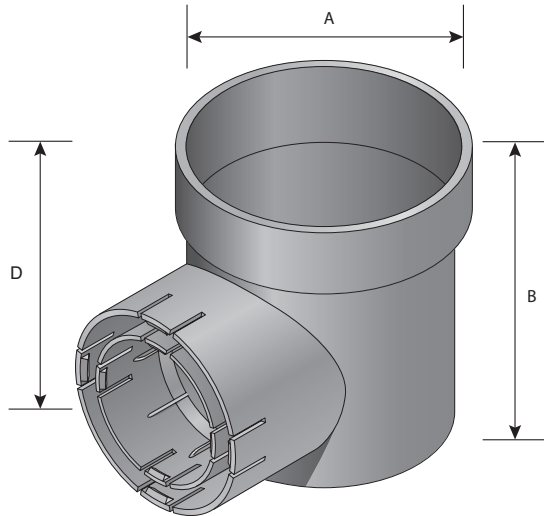


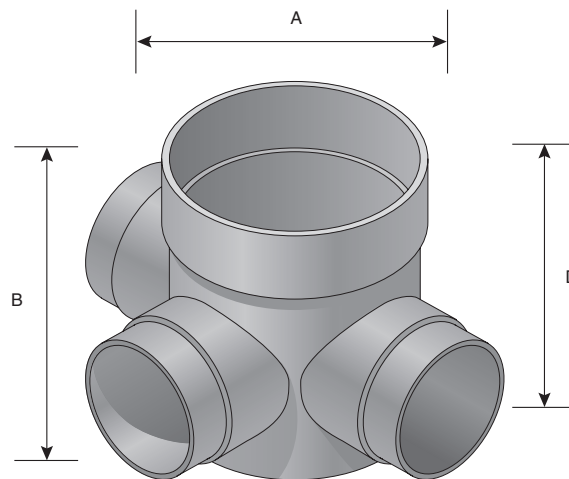
Spee-D Basins



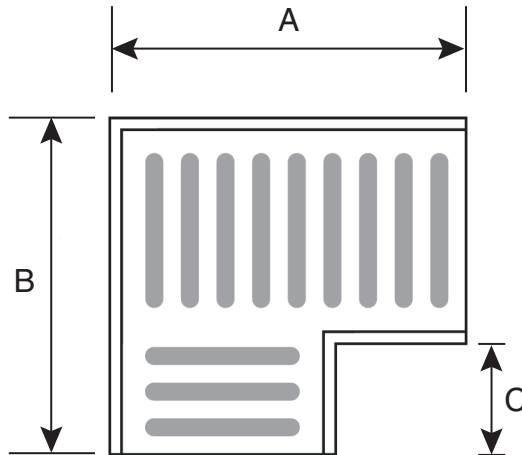
Dimension Key

- A: Diameter
- B: Height
- C: Holding Capacity
- D: Center of Flow
from top of basin
- E: Weight

Part Number	A	B	C	D	E
101	6 1/2	8 3/8	.7 gallons	4 9/16	1.6
201	6 1/2	8 3/8	.7 gallons	4 9/16	1.9
250	6 1/2	7 7/8	.7 gallons	4 3/4	1.92
300	6 1/2	7 7/8	.7 gallons	4 3/4	1.92
350	6 1/2	7 7/8	.7 gallons	4 3/4	2.25



Spee-D Accessories Fabricated 90° Elbow with Grate



Dimension Key

- A: Width
- B: Height
- C: Height of branch
- D: Weight

*note: Please see catalog

Part Number	A	B	C	D
2380	7 7/16	7 1/16	2 5/8	3
2381	7 7/16	7 1/16	2 5/8	3
2382	7 7/16	7 1/16	2 5/8	3
2383	7 7/16	7 1/16	2 5/8	3
2384	7 7/16	7 1/16	2 5/8	3
2385	7 7/16	7 1/16	2 5/8	3

Load Recommendation Guide



Class A

- Loads of 1-60 psi.
- Recommended for pedestrians, bicycles and wheel chair traffic.



Class B

- Loads of 61-175 psi.
- Recommended for medium-duty pneumatic tire traffic, autos and light trucks at speeds less than 20 m.p.h.



Class C

- Loads of 176-325 psi.
- Recommended for heavy-duty pneumatic tire forklifts and tractor trailers at speeds less than 20 m.p.h., H-20 rated.



Class D

- Loads of 326-575 psi.
- Recommended for heavy-duty hard tire forklifts at speeds less than 20 m.p.h., H-20 rated.

Note: Some installations may require a concrete collar to meet load rating. Loads are based on encasing product in concrete. Product must be installed using NDS instructions.

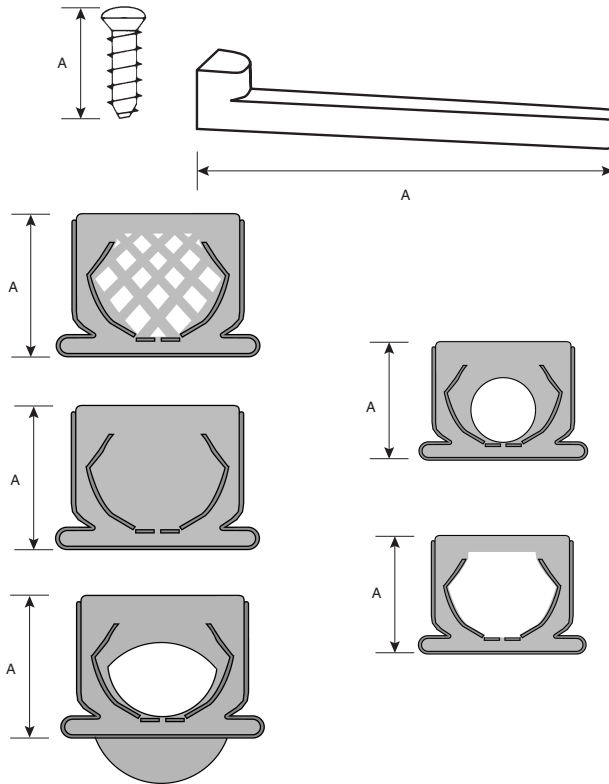


NDS Customer Service

851 N. Harvard Ave, Lindsay, CA 93247
Phone: (800) 726-1994 • (559) 562-9888
Fax: (800) 726-1998 • (559) 562-4488

www.NDSPRO.com

Spee-D Accessories



Dimension Key

A: Height
B: Weight

*note: Please see catalog

Part Number	A	B
229	1	0.06
230	6	0.04
245	3 3/4	0.35
246	3 3/4	0.4
247	3 3/4	0.4
248	3 3/4	0.4
249	3 3/4	0.4

Load Recommendation Guide



Class A

- Loads of 1-60 psi.
- Recommended for pedestrians, bicycles and wheel chair traffic.

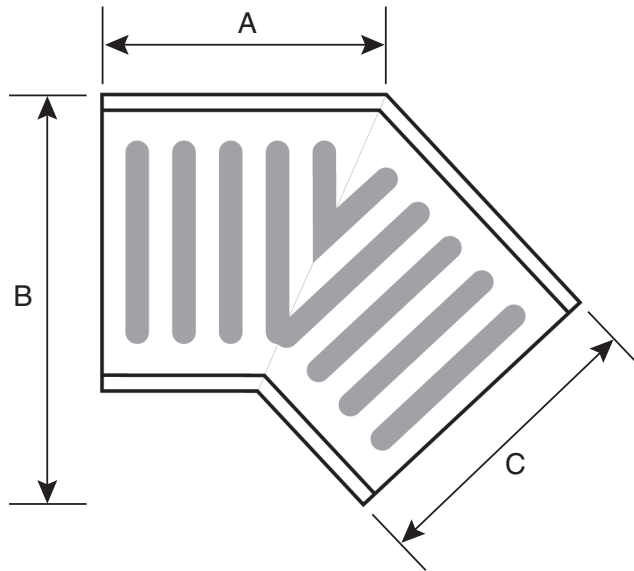


Class B

- Loads of 61-175 psi.
- Recommended for medium-duty pneumatic tire traffic, autos and light trucks at speeds less than 20 m.p.h.

Note: Some installations may require a concrete collar to meet load rating. Loads are based on encasing product in concrete. Product must be installed using NDS instructions.

Spee-D Accessories Fabricated 45° Elbow with Grate



Dimension Key

- A: Width
- B: Height
- C: Weight

*note: Please see catalog

Part Number	A	B	C
2300	4 1/2	7 1/16	2
2301	4 1/2	7 1/16	2
2302	4 1/2	7 1/16	2
2303	4 1/2	7 1/16	2
2304	4 1/2	7 1/16	2
2305	4 1/2	7 1/16	2

Load Recommendation Guide



Class A

- Loads of 1-60 psi.
- Recommended for pedestrians, bicycles and wheel chair traffic.



Class B

- Loads of 61-175 psi.
- Recommended for medium-duty pneumatic tire traffic, autos and light trucks at speeds less than 20 m.p.h.



Class C

- Loads of 176-325 psi.
- Recommended for heavy-duty pneumatic tire forklifts and tractor trailers at speeds less than 20 m.p.h., H-20 rated.



Class D

- Loads of 326-575 psi.
- Recommended for heavy-duty hard tire forklifts at speeds less than 20 m.p.h., H-20 rated.

Note: Some installations may require a concrete collar to meet load rating. Loads are based on encasing product in concrete. Product must be installed using NDS instructions.