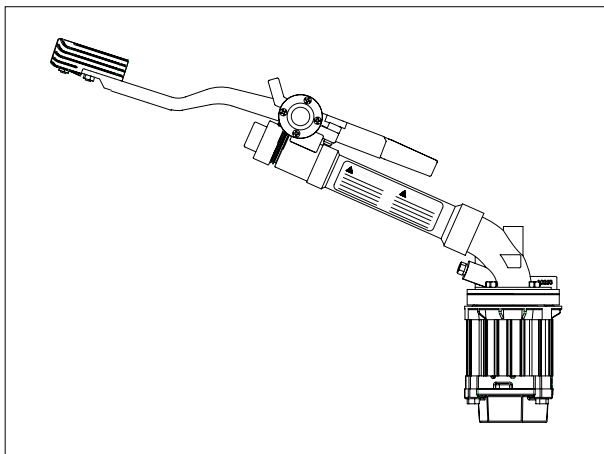


innovation in irrigation™

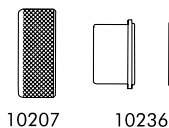
NELSON

F75 BIG GUN®

F75 BIG GUN® PARTS LIST

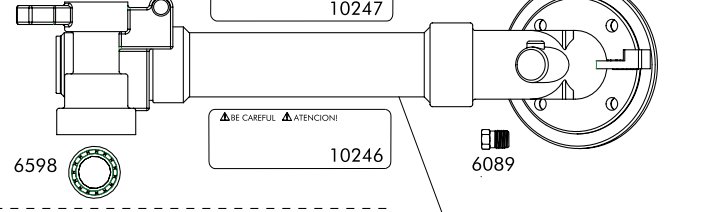


Nozzle shown for reference only.
Order nozzles from WG-PL Price List.



- 10377
- 10730

- 6600
- 6598
- 10214
- 10202

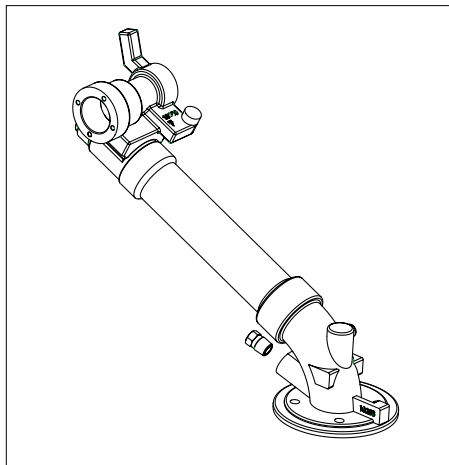


- 10277-XXX BODY ASSY**
- 10277-121 Body Assy, 21°
 - 10277-124 Body Assy, 24°
 - 10277-127 Body Assy, 27°

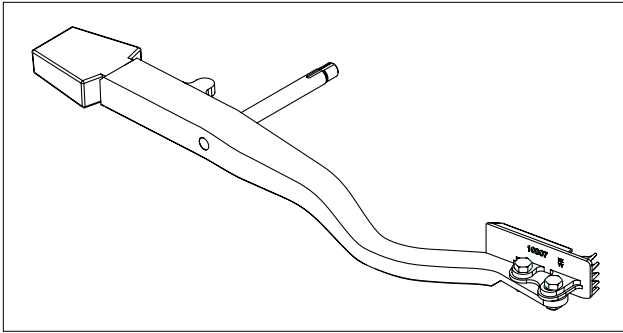
- 10194
- 10191
- 10192
- 10189
- 6603

- 6563
- 10231 (includes 6563)
- 8311

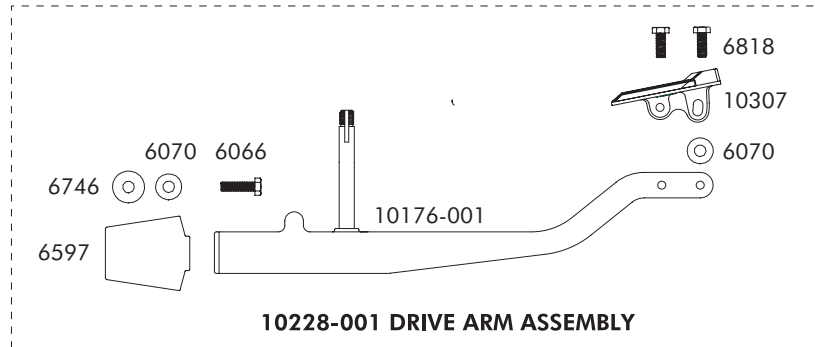
- Weldment Only
- 10274-121 21°
 - 10274-124 24°
 - 10274-127 27°



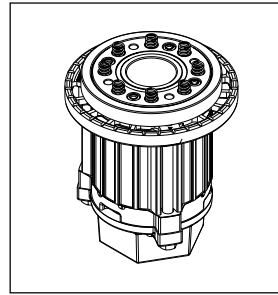
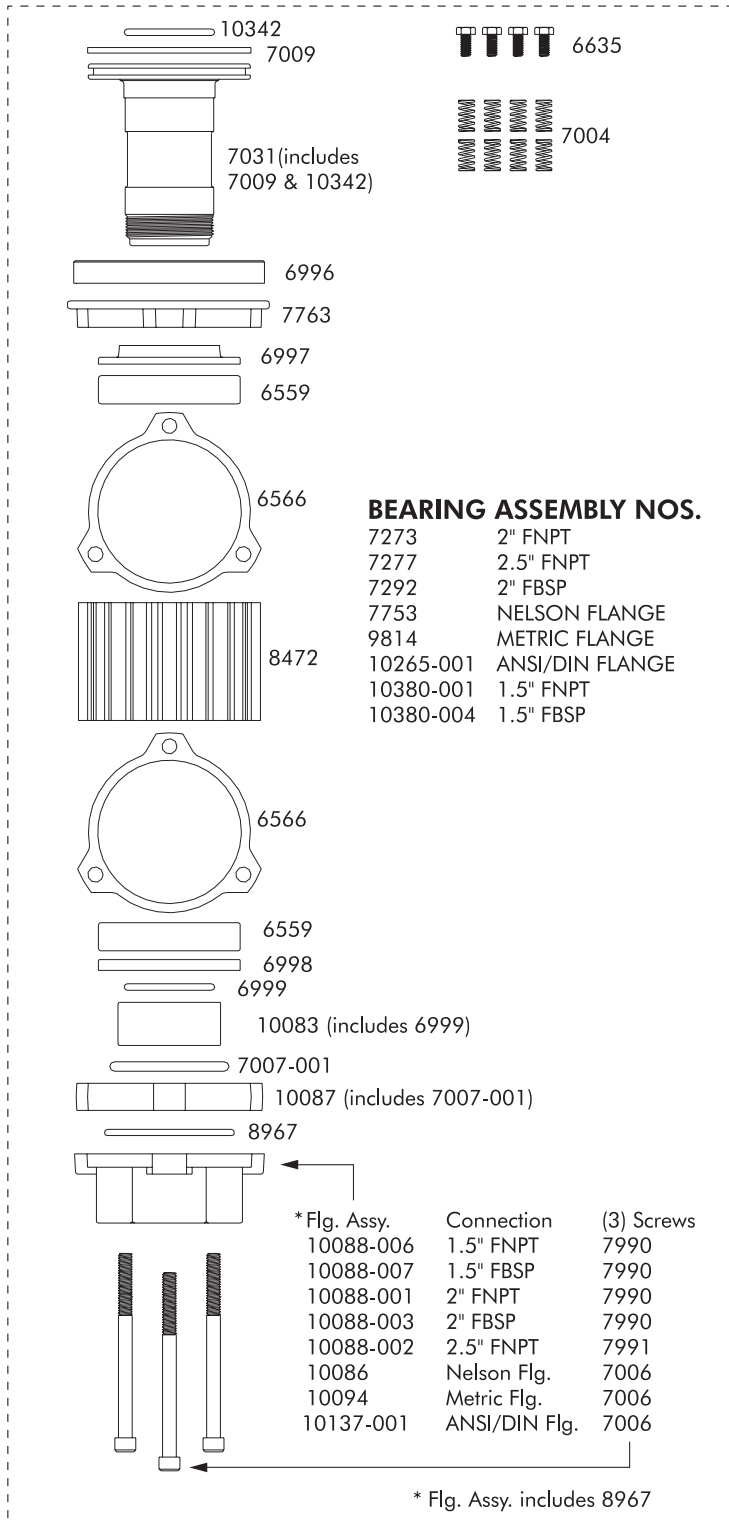
10277-XXX BODY ASSEMBLY, F75		qty.
part number	description	
6089	3RN Plug	1
6598	Bearing, Ball, 12 x 32 x 10mm	2
6600	Seal, Oil	1
10202	Bumper, SR75	1
10214	Spacer, Drive Arm Bearing	1
10246	Label, Warning - English, Spanish	1
10247	Label, Warning - French, German, Swedish	1



part number	description	qty.
10228-001	DRIVE ARM ASSEMBLY, F75	
6060	Nut, .25-.20 x .75"	2
6066	Screw, .25-.20 x 1", Hex Head Cap	1
6070	Washer, .25" Plain, .281 x .625 x .065	1
6597	Weight, Drive Arm - F100	1
6746	Washer, Drive Arm Weight - F100	1
6818	Screw, .25-.20 x .75", Hex Head Cap	2
10176-001	Arm, Drive - F75	1
10307	Vane, Drive - F75	1



FINAL ASSEMBLY COMPONENTS		
part number	description	qty.
6603	Nut, .438-20 Special	1
8311	Screw, #8-32 x .375", Self-Tapping Pan Head	4
10189	Spring, Torsion - SR75	1
10191	Cam - SR75	1
10192	Spacer, Drive Arm Shaft, SR75	1
10194	Spacer, Drive Arm Shaft - SR75	1
10207	Cap, Nozzle - 75TR	1
10214	Spacer, Drive Arm Bearing - F75	1
10231	Cap Assy, Arm Bearing - SR75	1
10377	O-Ring, .459 ID x .040 CS	1
10236	O-Ring, -.025	1
10730	Spacer, Drive Arm Shaft, Teflon Coated - SR75	1

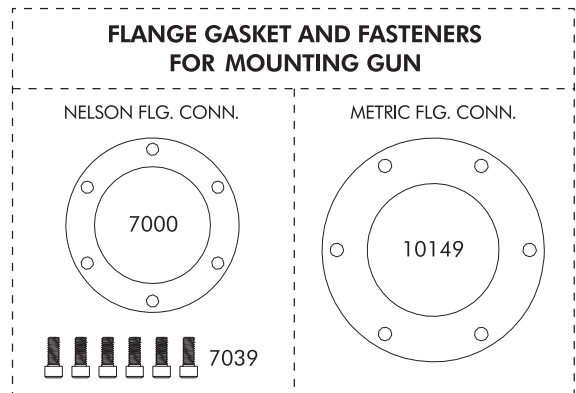


BEARING ASSEMBLY HD 100

part number	description	qty.
6559	Bearing, Ball, 50 x 80 x 16mm	2
6566	Gasket, Housing - HD100	2
6635	Screw, 5/16-18 x 11/16" Hex Hd. Cap	4
6996	Ring, Brake - HD100	1
6997	Seal, Upper - HD100	1
6998	Seal, Center - HD100	1
6999	O-Ring, -224	1
7004	Spring, Brake - HD100	8
7006	Screw, .312-18 x 3.50" Hex Skt Hd Cap	3
7007-001	O-Ring, -331, Special, w/ Grease & Graphite	1
7009	Seal, Dust - HD100	1
7031	Shaft Assembly - HD100	1
7763	Cover, Full Circle - HD100	1
7990	Screw, .312-18 x 4.25" Hex Hd Cap	3
7991	Screw, .312-18 x 4" Hex Skt Hd Cap	3
8472	Housing - HD100	1
8967	O-Ring -231, Special	1
10083	Retainer Assembly - HD100	1
10086	Flange Assembly, Nelson	1
10087	Spacer Assembly - HD100	1
10088-001	Flange Assembly, 2" FNPT	1
10088-002	Flange Assembly, 2.5" FNPT	1
10088-003	Flange Assembly, 2" FBSP	1
10088-006	Flange Assembly, 1.5" FNPT	1
10088-007	Flange Assembly, 1.5" FBSP	1
10094	Flange Assembly, Metric	1
10137-001	Flange Assembly, ANSI/DIN	1
10342	O-Ring, -225	1

MOUNTING HARDWARE

part number	description	qty.
7000	Gasket, Flange	1
7039	Screw, .312-18 x .75" Hex Skt Hd Cap	6
10149	Gasket, Metric Flange	1



WARRANTY AND DISCLAIMER: Nelson Big Gun sprinklers are warranted for one year from date of original sale to be free of defective materials and workmanship when used within the working specifications for which the product was designed and under normal use and service. The manufacturer assumes no responsibility for installation, is limited solely to replacement or repair of defective parts, and the manufacturer will not be liable for any crops or other consequential damages resulting from any defects or breach of warranty. THIS WARRANTY IS EXPRESSLY IN LIEU OF ALL OTHER WARRANTIES, EXPRESS OR IMPLIED, INCLUDING THE WARRANTIES OF MERCHANTABILITY AND FITNESS FOR PARTICULAR PURPOSES AND OF ALL OTHER OBLIGATIONS OR LIABILITIES OF MANUFACTURER. No agent, employee or representative of the manufacturer has authority to waive, alter or add to the provision of the warranty, nor to make any representations or warranty not contained herein.