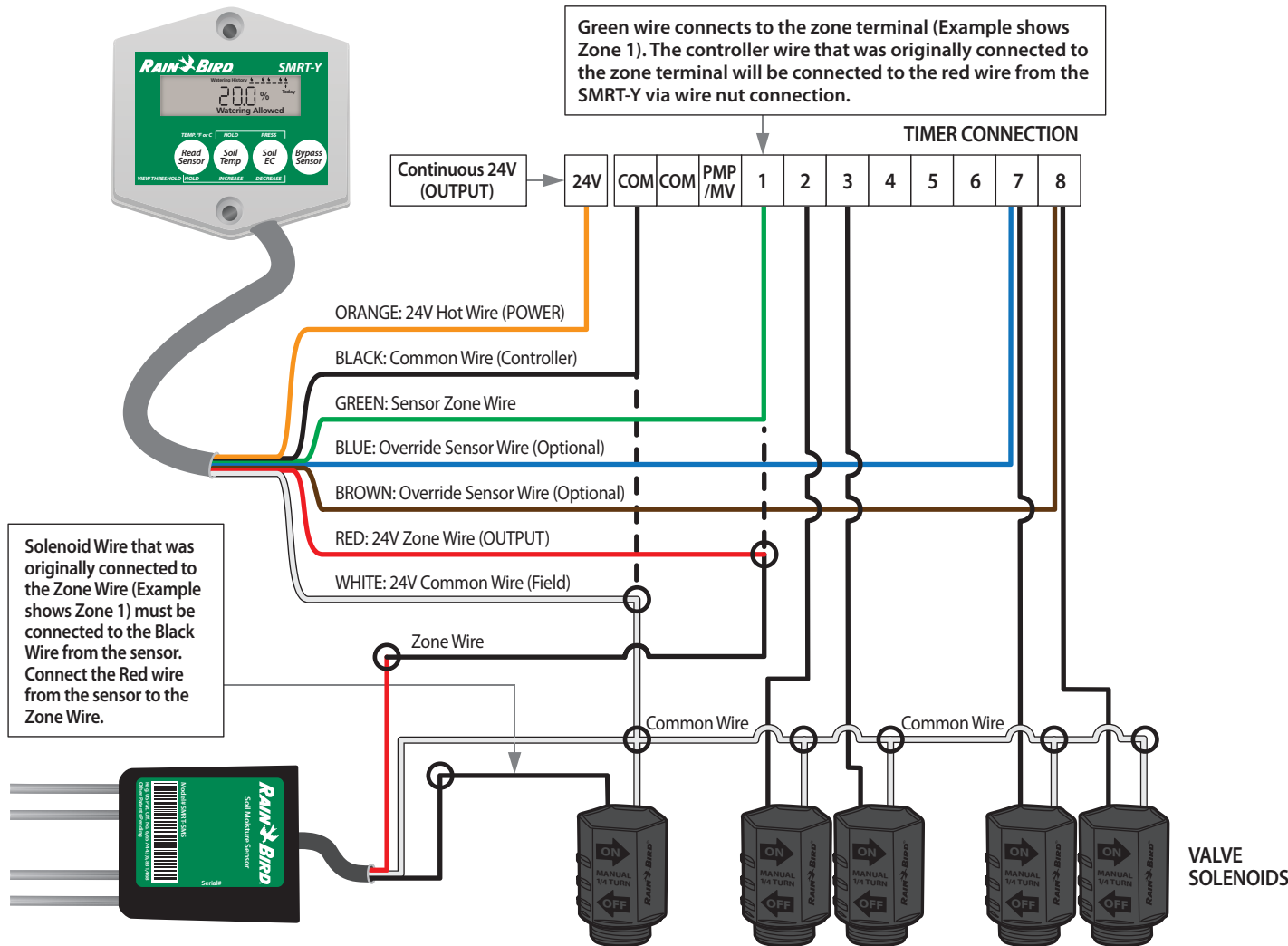


# SMRT-Y Soil Moisture Sensor Wiring Diagram



## IMPORTANT INFORMATION

- ✓ Wire connections are the most important part of sensor installation. You must use wire nuts and grease caps to ensure adequate connections and for the unit to function properly.
- ✓ The Sensor needs to be installed in an area that is the most representative of the entire landscape being irrigated and can be connected to ANY ZONE wire which activates a single solenoid (Example shows Zone 1).
- ✓ Connect to a UL listed controller or equivalent.

- Wire connection point
- ⋮ Indicates former wire connection

### Rain Bird Corporation

6991 East Southpoint Road  
 Tucson, AZ 85756, U.S.A.  
 Phone: (520) 741-6100  
 Fax: (520) 741-6522

### Rain Bird Corporation

970 West Sierra Madre Avenue  
 Azusa, CA 91702, U.S.A.  
 Phone: (626) 812-3400  
 Fax: (626) 812-3411

### Rain Bird International, Inc.

P.O. Box 37  
 Glendora, CA 91740-0037, U.S.A.  
 Phone: (626) 963-9311  
 Fax: (626) 852-7343

### Technical Service and Support

(800) RAINBIRD (U.S. and Canada only)

### For more information:

Installation Guide 177627  
[www.rainbird.com/sms](http://www.rainbird.com/sms)