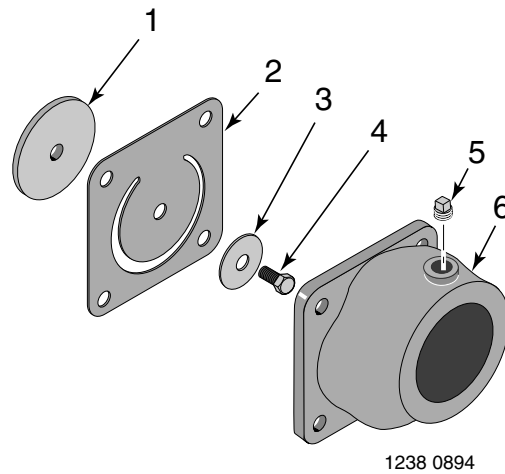


Key No.	Part Description	No. Used	3 HP DMH-171 DMH3-171 DM2H-171 DM2H3-110 DM2H3-171	5 HP DMJ-172 DMJ3-172 DM2J-172 DM2J3-172	3 HP DHH-169 DHH3-169 DH2H-112 DH2H3-112 DH2H3-169	5 HP DHJ-170 DHJ3-170 DH2J-113 DH2J3-170
1	Motor - 60 Cycle - 230V, Single Phase	1	C218-177	C218-180	C218-177	C218-180
1	Motor - 60 Cycle - 230/460V, Three Phase	1	C218-179	C218-182	C218-179	C218-182
1	Motor - 60 Cycle - 200V, Single Phase	1	C218-191	C218-192	C218-191	C218-192
1	Motor - 60 Cycle - 200V, Three Phase	1	C218-178	C218-181	C218-178	C218-181
2	O-Ring	1	U9-265	U9-265	U9-265	U9-265
2A	Sleeve	1	C23-58	C23-58	C23-58	C23-58
3	Key - Square	1	U65-42A	U65-42A	U65-42A	U65-42A
4	Water Slinger - Single Phase	1	C69-15	C69-15	C69-15	C69-15
4	Water Slinger - 230/460V, Three Phase	1	C69-16	C69-15	C69-16	C69-15
4	Water Slinger - 200 V, Three Phase	1	C69-15	C69-15	C69-15	C69-15
5	Capscrew - 3/8 - 16 x 7/8" Lg.	8	U30-73ZP	U30-73ZP	U30-73ZP	U30-73ZP
6	Adapter	1	C2-66	C2-66	C2-66	C2-66
7	Gasket - Adapter	1	C20-46	C20-46	C20-46	C20-46
8	Lockwasher - 3/8"	4	U43-12ZP	U43-12ZP	U43-12ZP	U43-12ZP
9	Capscrew - 3/8 - 16 x 7/8" Lg.	4	U30-73ZP	U30-73ZP	U30-73ZP	U30-73ZP
10	Shaft Seal	1	U109-220	U109-220	U109-220	U109-220
11	Gasket - Seal	1	C20-101	C20-101	C20-101	C20-101
12	Impeller	1	C5-246	C5-247	C5-248	C5-249
13	Wear Ring	1	J23-5	C23-14	J23-5	J23-5
14	Gasket	1	C20-100	C20-100	C20-100	C20-100
15	Washer - Impeller	1	C43-45SS	C43-45SS	C43-45SS	C43-45SS
16	Gasket	1	C43-46	C43-46	C43-46	C43-46
17	Screw - Impeller - 3/8 - 16 x 3/4" Lg.	1	U30-72SS	U30-72SS	U30-72SS	U30-72SS
18	Volute Diffuser (w/Wear Ring, Key No. 13)	1	C101-126	C101-126B	C101-132	C101-132
19	Diffuser Ring	1	C21-2	C21-2	C21-2	C21-2
20	Pump Body	1	C76-12	C76-12C	C76-12B	C76-12
21	Pipe Plug - 1/4" NPT	2	U78-941ZPV	U78-941ZPV	U78-941ZPV	U78-941ZPV
22	Capscrew - 5/16 - 18 x 3/4" Lg.	4	U30-60ZP	U30-60ZP	U30-60ZP	U30-60ZP



1238 0894

SUCTION FLANGE ASSEMBLY

Key No.	Part Description	No. Used	Part Symbol
1	Valve Plate	1	C61-5SS
2	Gasket - Flange	1	C20-15
3	Valve Washer	1	C43-15SS
4	Machine Screw 1/4-20 x 1/2"	1	U30-50SS
5	Pipe Plug - 1/4" NPT Sq. Hd.	1	U78-57SSS
6	Suction Flange 2" NPT	1	C3-22A
6	Suction Flange 2-1/2" NPT	1	C3-74
6	Suction Flange 3" NPT	1	C3-74B
•	Nut, 1/4-20, Hex	1	BC120-15
	Suction Flange Assembly- Complete 1-1/2" NPT		C203-22
	Suction Flange Assembly- Complete 2" NPT		C203-22A