

- The rotary Seal (Ref. No. 4) will come loose at this time. Use a screwdriver (or similar instrument) to pry the ceramic seal and the rubber gasket from the recess of the mounting bracket.

**CAUTION:** Be careful not to damage the motor shaft or recess surface.

**NOTE:** Because damage to the shaft seal is most likely to occur in disassembly, a new seal will be necessary.

- Clean the recess and motor shaft thoroughly.
- Install the new rotary seal assembly:
  - Insert the ceramic seal and the rubber gasket into the recess.

**NOTE:** To help facilitate installation, apply a light coating of oil to the outside diameter of the rubber gasket. Make certain the ceramic seal is kept clean and free of dirt and/or oil.

- Slip the remaining parts of the rotary seal assembly onto the motor shaft.
- Replace the impeller and diffuser removed in Steps 2 and 3.
  - Insert rubber diffuser into pump body cavity.

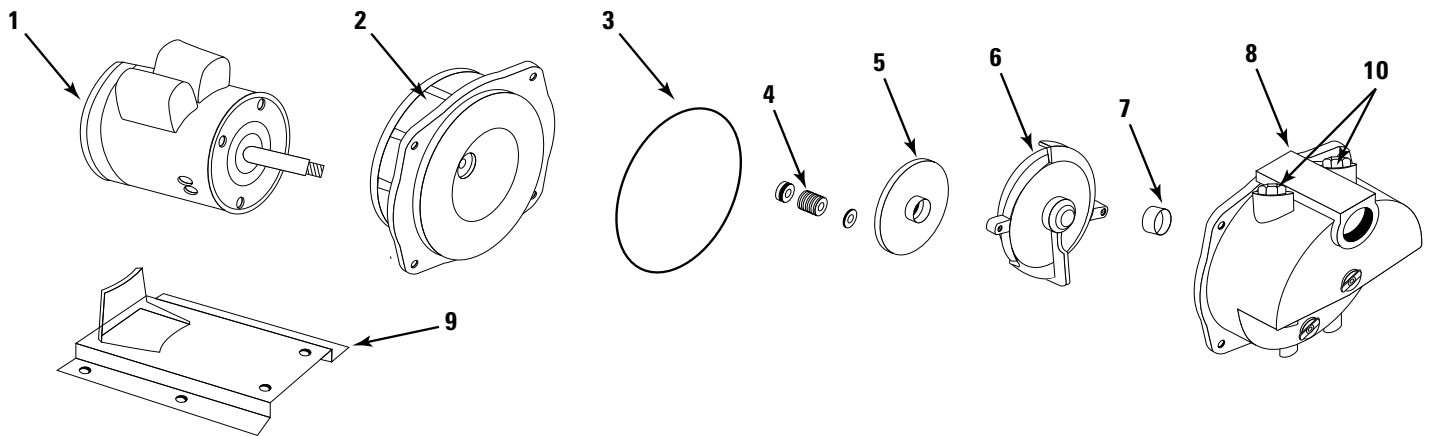
- Reassemble the pump body to the motor and mounting bracket.

### MOTOR REPLACEMENT

- NEMA J motors can be replaced in the field with any standard NEMA J jet pump motor by referring to the following instructions and the attached parts list.
- Follow Steps 1 through 4 as outlined under rotary seal replacement to remove the pump body, diffuser, impeller and rotary seal.
- Remove bolts that connect the motor (Ref. No. 1) and pull motor away.
- Replace motor with standard NEMA J jet pump motor by positioning motor against the mounting frame and assembling with four 3/8" x 3/4" cap screws. The mounting base is connected at the bottom of the mounting frame with two 3/8" x 1/2" cap screws.
- Follow Steps 5, 6, 7 and 8 of Rotary Seal Assembly to reassemble the remainder of the pump.

**NOTE:** Because damage to the shaft seal is most likely to occur in disassembly, a new seal will be necessary.

## LP SERIES — SELF-PRIMER PUMP REPAIR PARTS



ITEM	SINGLE PHASE DESCRIPTION	HORSEPOWER MODEL NO, PART NO.	3/4	1	1-1/2	2	3
			MULP075B	MULP100B	MULP150B	MULP200B	MULP300B
1	MOTOR, NEMA J - 1 PHASE ▲ MOTOR ACCESS COVER SCREW, ACCESS COVER		MLP07B1	MLP10B1	MLP15B1	MLP20B1	MLP30B1
▲	SLINGER, WASHER	MLP5030	1	1	1	1	1
2	MOUNTING RING	MLP3010	1	1	1	1	1
▲	HEX HD. CAP SCREWS 3/8 x 3/4"	MLP9010	1	1	1	1	1
3	RING, SQUARE CUT	MLP5010	4	4	4	4	4
4	SEAL, ROTARY W/SPRING	MLP6200	1	1	1	1	1
5	IMPELLER, BRASS "B" MODELS		MLP407B	MLP410B	MLP415B	MLP420B	MLP430B
6	DIFFUSER	MLP2010	1	1	1	1	MLP2011
▲	HEX HD. CAP SCREWS 1/4 x 1"	MLP9020	2	2	2	2	2
7	RUBBER DIFFUSER	MLP5020	1	1	1	1	1
8	PUMP BODY	MLP1010	1	1	1	1	1
▲	HEX HD. CAP SCREWS 7/16 x 1"	MLP9030	4	4	4	4	4
9	BASE - 48 Y-FRAME MOTOR	MLP801048	1	1	1	—	—
▲	BASE - 56 J-FRAME MOTOR	MLP801056	—	—	—	1	1
▲	HEX HD. CAP SCREWS 3/8 x 1/2"	MLP9040	2	2	2	2	1
▲	PET COCK	•					
10	3/4" PRIMING PLUG	•					

(•) Standard Hardware Item

(▲) Not Shown