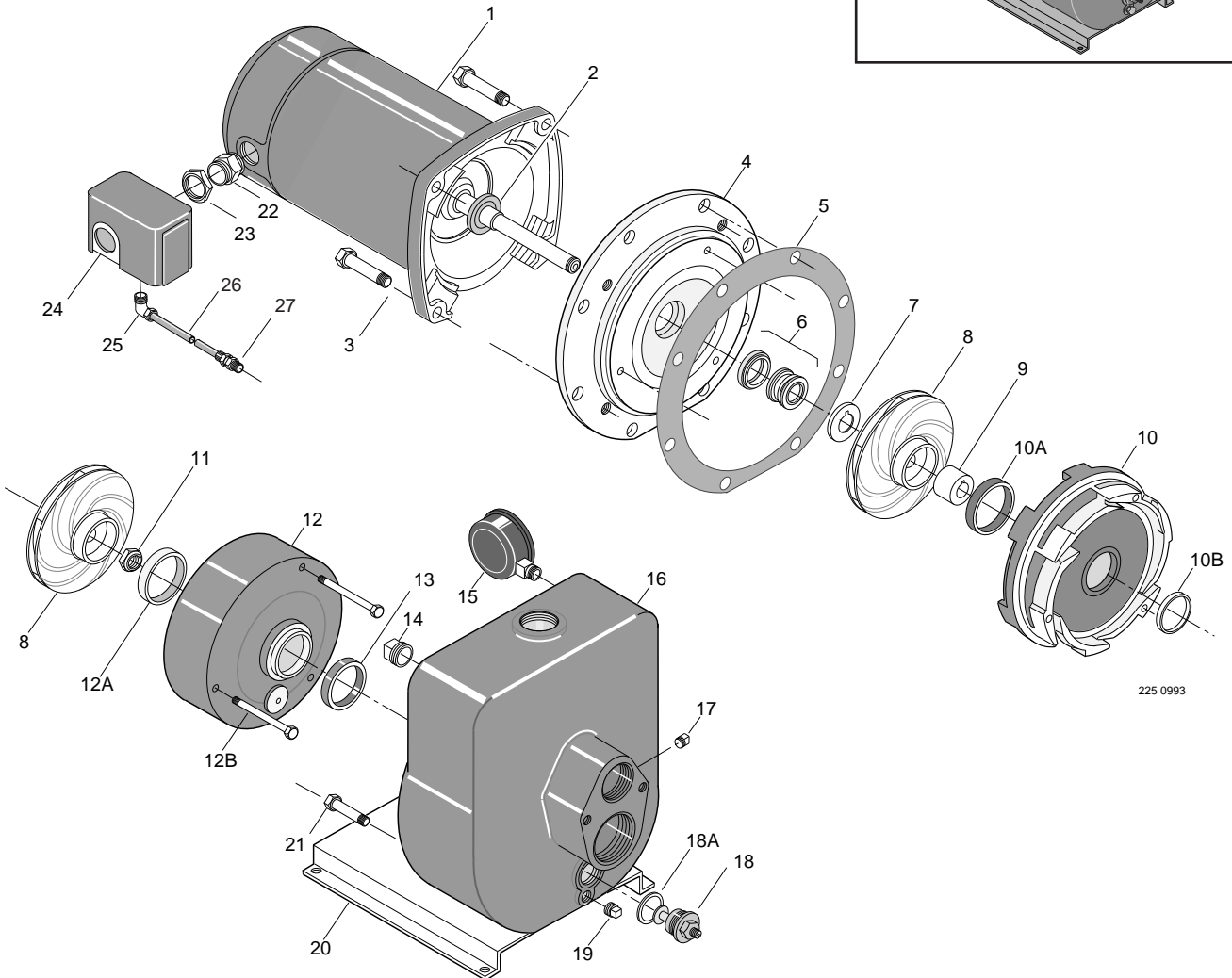
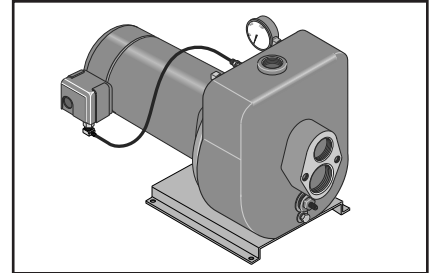


multi-stage jet/centrifugal pumps

HMS series

3/4 thru 1-1/2 HP

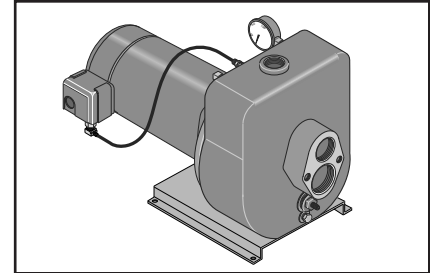


225 0993

HMSD-1FL
3/4 HP

HMSE-1FL
1 HP

HMSF-1FL
1-1/2 HP



Key No.	Part Description	W/KIT	No. Used	HMSD-1FL 3/4 HP	HMSE-1FL 1 HP	HMSF-1FL 1-1/2 HP
1	Motor, 60 Hz, 115/230V - Single Phase		1	A700DH	A700EH	A700FH
▪	Key - Shaft	OH	2	U65-15SS	U65-15SS	U65-15SS
2	Water Slinger		1	C69-23	C69-23	C69-23
3	Capscrew - 3/8" x 16 x 1" Hex Head		4	U30-74ZP	U30-74ZP	U30-74ZP
4	Seal Plate		1	L3-26	L3-26	L3-26
5	Gasket - Seal Plate	OH/SG	1	L20-43	L20-43	L20-43
6	Shaft Seal	OH/SG	1	U109-267	U109-267	U109-267
7	Spring Holder Washer	OH/SG	1	J24-11	J24-11	J24-11
8	Impeller	OH	2	L105-2PC	L105-2PB	L105-2P
9	Spacer - Impeller		1	J43-23	J43-23	J43-23
10	Diffuser Assembly w/Wear Rings		1	L101-45	L101-45	L101-45
10A	Wear Ring	OH	(1)	L23-9	L23-9	L23-9
10B	Wear Ring	OH	(1)	P23-19	P23-19	P23-19
11	Stop Nut - Shaft	OH	1	U36-175D	U36-175D	U36-175D
12	Diffuser Cover w/Wear Ring		1	L103-27	L103-27	L103-27
12A	Wear Ring		(1)	L23-9	L23-9	L23-9
12B	Capscrew - 1/4" - 20 x 3" Lg.		3	U30-528SS	U30-528SS	U30-528SS
13	Diffuser Ring	OH/SG	1	L21-1	L21-1	L21-1
14	Pipe Plug - 1/2" NPT		1	U78-59ZPS	U78-59ZPS	U78-59ZPS
15	Pressure Gauge		1	U239-8	U239-8	U239-8
16	Pump Body		1	L76-36	L76-36	L76-36
17	Pipe Plug - 1/8" NPT		1	U78-56ZPS	U78-56ZPS	U78-56ZPS
18	Valve Assembly		1	L262-4PS	L262-4PS	L262-4PS
18A	Gasket		1	L20-39	L20-39	L20-39
19	Plug - 1/4" NPT		1	U78-941ZPV	U78-941ZPV	U78-941ZPV
20	Base		1	U4-5	U4-5	U4-5
▪	Lockwasher - 3/8"		2	U43-12ZP	U43-12ZP	U43-12ZP
▪	Capscrew - 3/8" - 16 x 5/8" Lg.		2	U30-71ZP	U30-71ZP	U30-71ZP
21	Capscrew - 3/8" - 16 x 7/8" Hex Head		8	U30-73ZP	U30-73ZP	U30-73ZP
22	Connector		1	L43-5C	L43-5C	L43-5C
23	Locknut - 1/2"		1	U36-112ZP	U36-112ZP	U36-112ZP
24	Pressure Switch		1	U217-1216	U217-1216	U217-1217
25	Compression Fitting - Elbow - 1/4"		1	U111-212T	U111-212T	U111-212T
26	Tube - Pressure Switch		1	U37-677P	U37-677P	U37-677P
27	Compression Fitting - Straight - 1/4"		1	U111-100T	U111-100T	U111-100T

▪ Not illustrated.

SERVICE KITS

Seal and Gasket Kit	1	PP1625	PP1625	PP1625
Overhaul Kit	1	PP1631	PP1632	PP1633
NOTE: SG Included in Seal and Gasket Kit. OH Included in Overhaul Kit.				